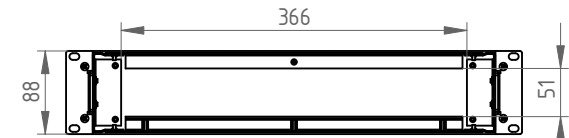
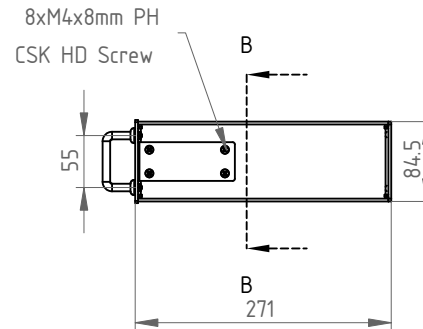
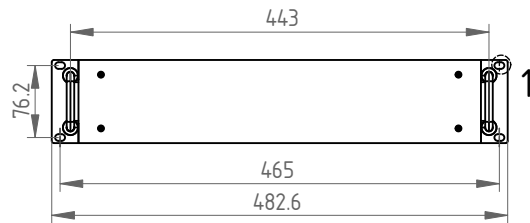
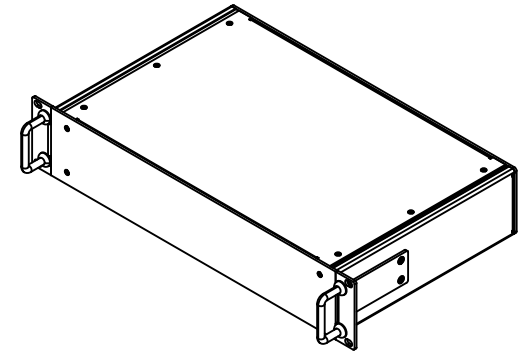
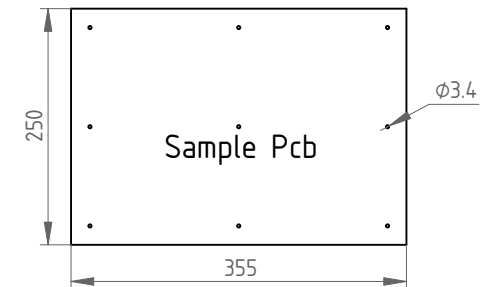
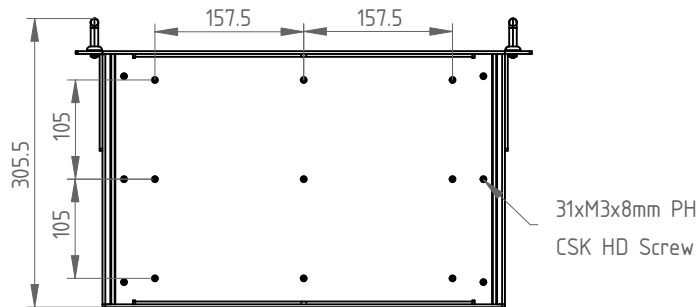


Detail View 1
Scale 1:2



Section B-B



Mech Power	MECHPOWER TECHNOLOGY PRIVATE LIMITED www.mechpowertech.com contact@mechpowertech.com		TITLE: Mech Comfort Rack 2Ux271mm Ral 7035	Sheet: 01 of 01
			Product No.: MFG010031 Material: Aluminium	Scale: 1:8 Toler.: +/-0.2
	Name Date		Document type: Assembly Drawing	
Drawn by: MV Checked by: GS Approved by: AP	Date 18-11-2023 18-11-2023 22-11-2023		Note: Unless Otherwise Specified All Dimensions are in mm.	Size: A4 Rev.: R0
ALL INFORMATION IS PROPRIETARY AND NOT TO BE REPRODUCED WITHOUT MECHPOWER CONSENT.				