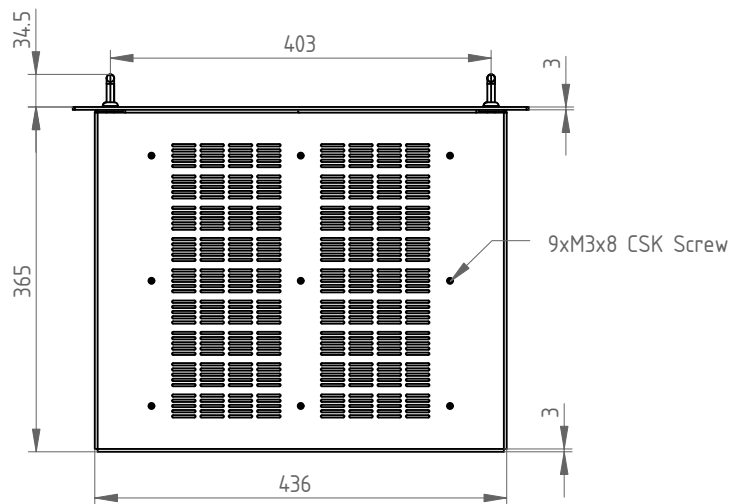
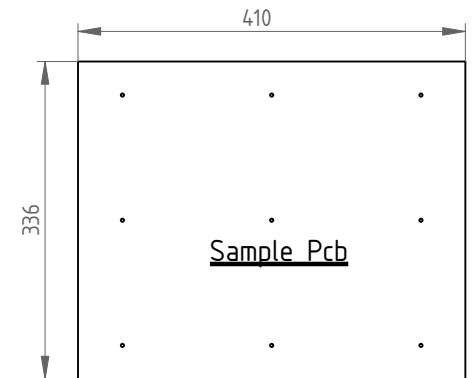
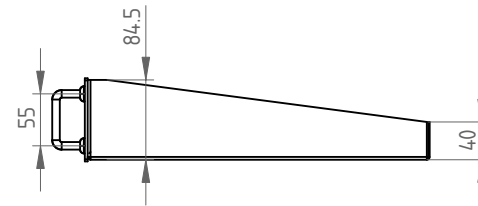
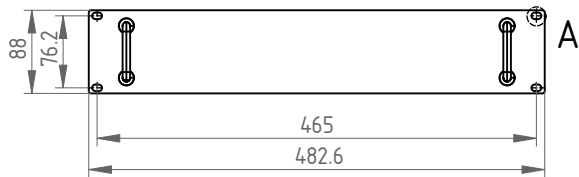
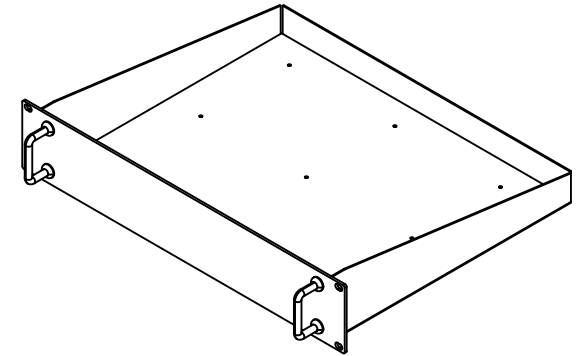

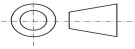


Detail View A  
Scale 1:1



 <b>Mech Power</b>	<b>MECHPOWER TECHNOLOGY PRIVATE LIMITED</b> www.mechpowertech.com contact@mechpowertech.com		<b>TITLE: Mech Flexi Rack 2Ux365mm Open Top Ral 9005</b>	Sheet: 01 of 01
	Drawn by: SM      Date: 30-10-2023		Product No.: MFG010012	Scale: 1:8 Toler.: +/-0.2
Checked by: GS      Date: 14-12-2023		Material: Aluminum	Document type: Assembly Drawing	
Approved by: AP      Date: 18-12-2023		Note: Unless Otherwise Specified All Dimensions are in mm.	Size: A4      Rev.: R0	
ALL INFORMATION IS PROPRIETARY AND NOT TO BE REPRODUCED WITHOUT MECHPOWER CONSENT.				